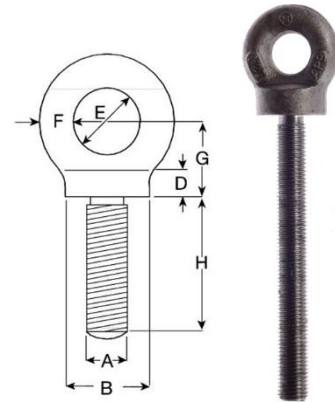


Long Shank Dynamo Eyebolts Metric Thread

- Material: High tensile C1045.
- Self-colour finish.
- Electro Galvanised finish available on request.
- To be used for vertical lifting only.
- Marked with size, WLL, ID mark & CE.
- Supplied with an EC declaration of conformity.



W.L.L tonnes	A (mm)	B (mm)	D (mm)	E (mm)	F (mm)	G (mm)	H(mm)	Weight (kgs/each)
0.15	8	17	5	22	9	27	100	0.11
0.25	10	17	5	22	9	27	100	0.12
0.32	12	17	5	22	9	27	100	0.17
0.63	16	23	6	29	11	34	114	0.35
1.25	20	32	9	40	15	49	127	0.60
2.00	24	40	12	51	19	60	127	1.10